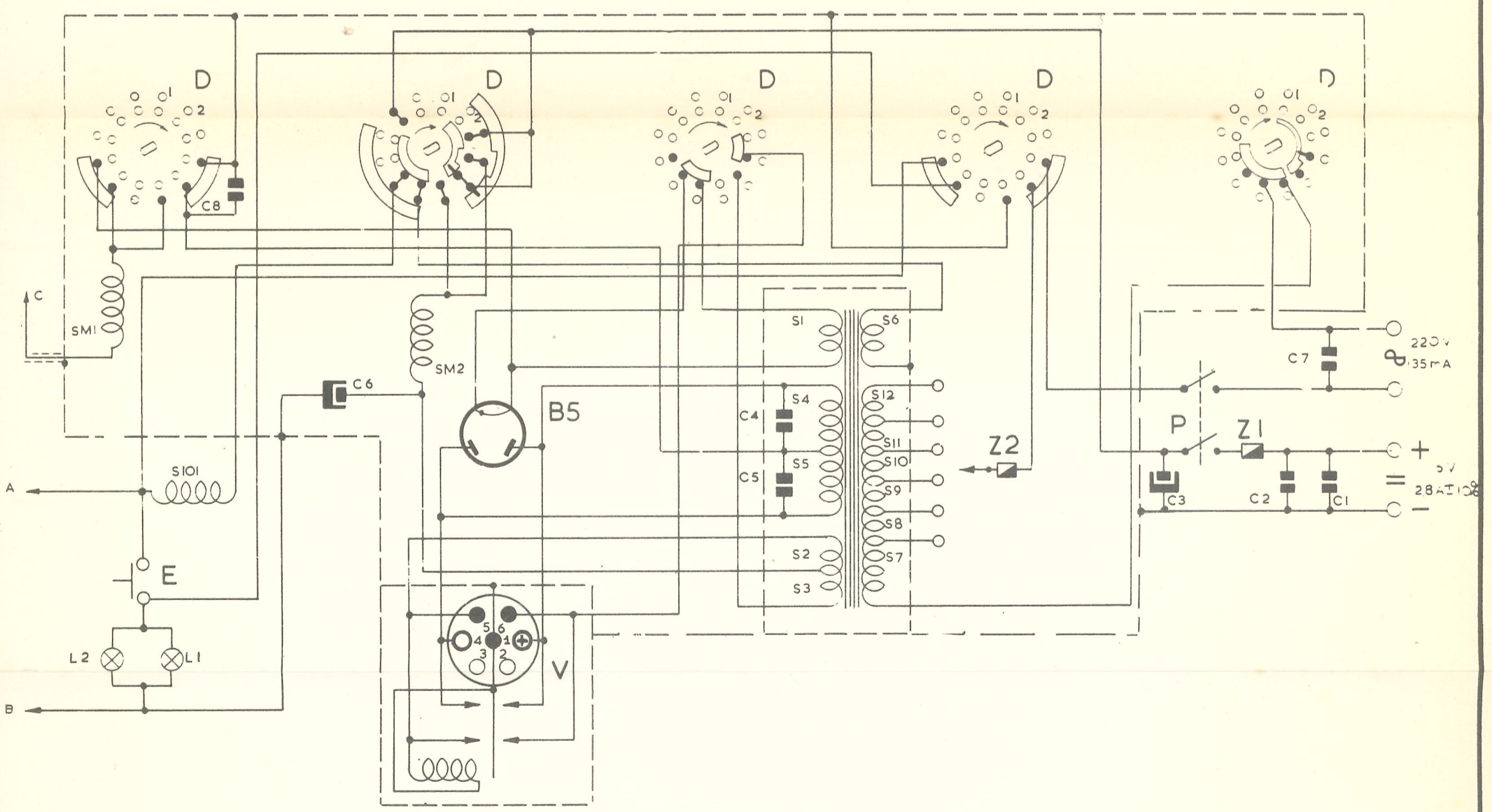


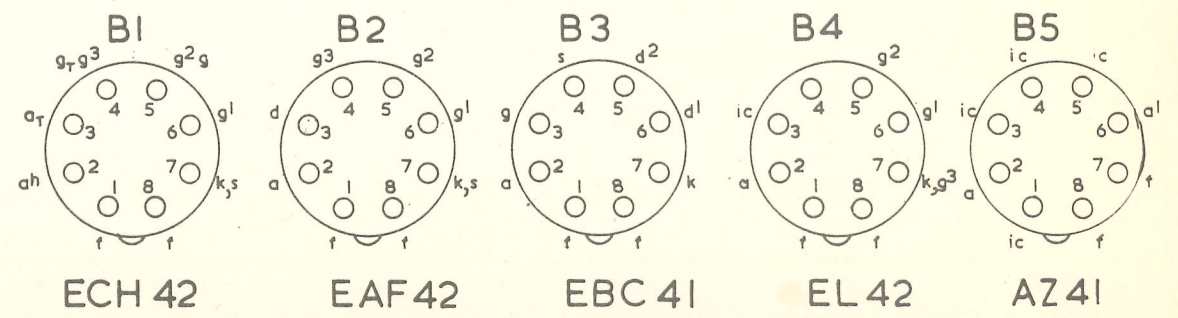
C	42, 5, 10	40, 6, 7, 8, 2, 9, 39	21, 45, 3	11, 19, 20, 25, 22, 16	33, 15, 29, 12, 13, 17, 14, 18, 23, 24, 30, 31	27, 50, 26, 32, 28, 38	34, 44, 36, 32, 35
R		19, 20	2, 3	22	8, 23, 27, 26, 9, 7, 4, 10, 1	14, 18, 6, 16, 30	
S	7	4, 5, 6, 1, 2, 3	24, 24, 28, 26, 21, 22, 23	31, 32	41, 42	54, 55, 51, 52, 53, 91	



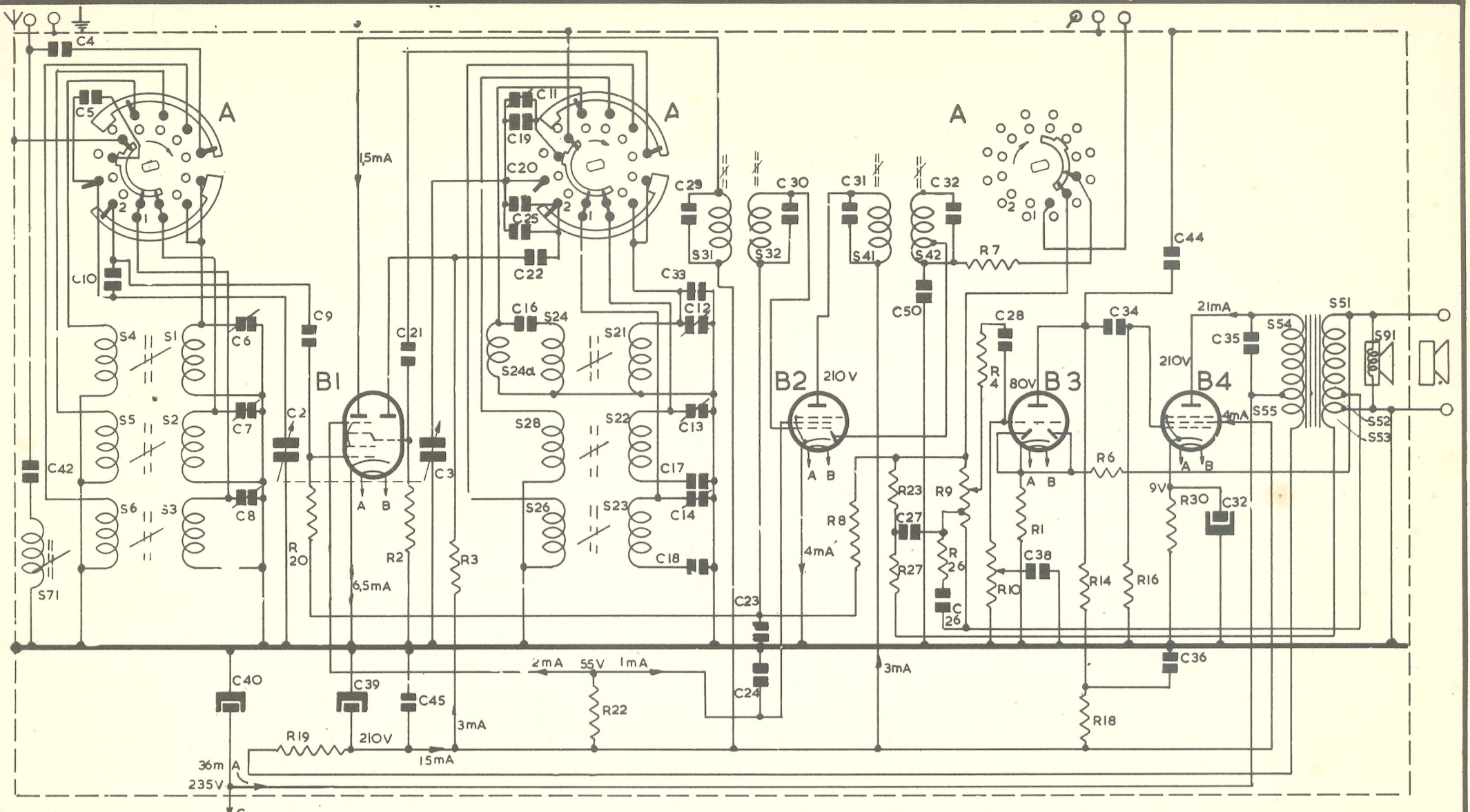
WAVERANGE SWITCH "A" 5 POSITIONS: SW I, SW II, MW, LW, GRAM.  
 SHOWN IN POSITION SW I.  
 VOLTAGE SWITCH "D" 2 POSITIONS: AC AND DC.  
 SHOWN IN POSITION AC.  
 P = SWITCH POTENTIOMETER  
 E = PUSH BUTTON  
 A - B FILAMENT CURRENT  
 C = HIGH TENSION  
 V = VIBRATOR  
 Z<sub>1</sub> = BATTERY FUSE 10 AMPS  
 Z<sub>2</sub> = TERMINAL FUSE  
 VOLTAGES MEASURED WITH VOLTMETER 10.000 OHMS/VOLTS.  
 VOLTAGES AND CURRENTS WITHOUT AERIAL SIGNAL.

FIG. I

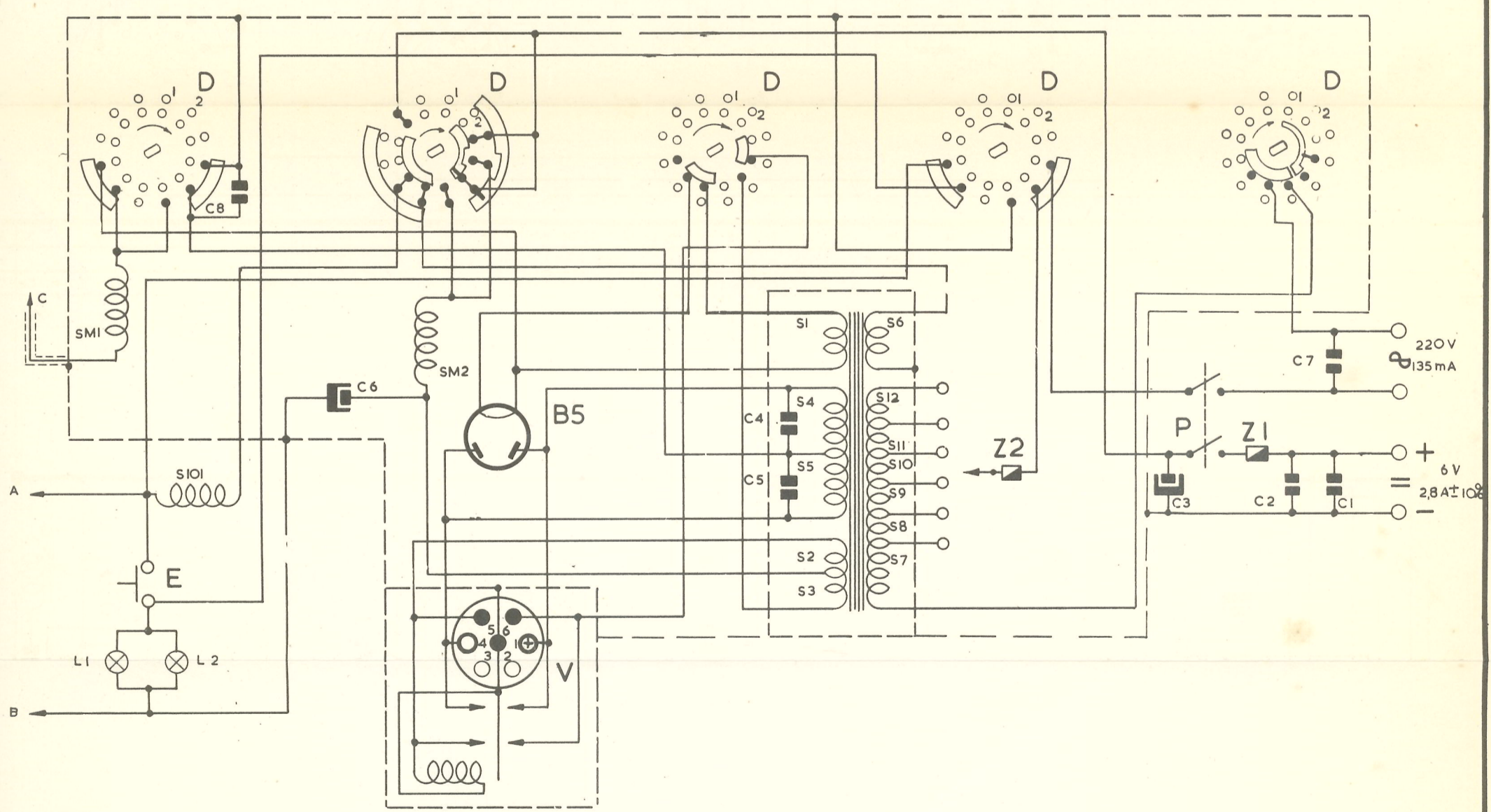
KY 516 AV



C	8, 6	4, 5	3, 2, 7, 1
R			
S	SM1, 101, SM2	1, 4, 5, 2, 3, 6, 12, 11, 10, 9, 8, 7	



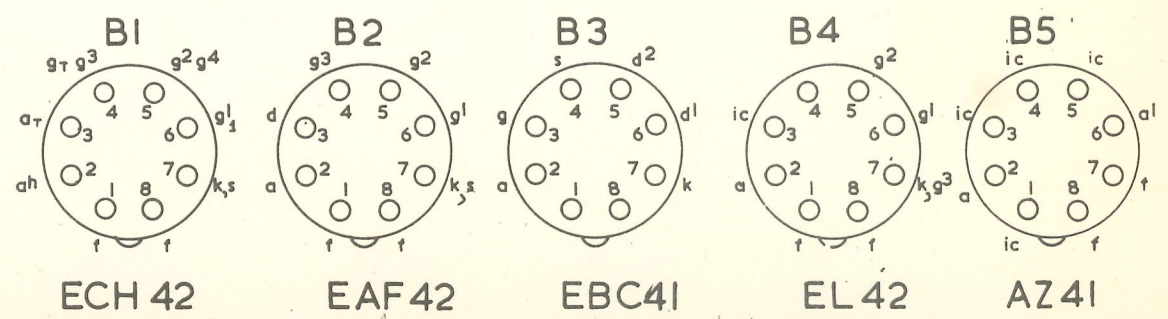
C	42, 4, 5, 10,	40, 6, 7, 8, 2, 2,	39,	21, 45, 3,	11, 19, 20, 25, 22, 16,	33,	29, 12, 13, 17, 14, 18, 23, 24, 30,	31,	27, 50, 26, 32,	28, 38,	34,	44, 36,	32, 35,
R		19, 20,	2,	3,	22,		8, 23, 27,	26, 9, 7, 4,	10, 1,	14, 18, 6, 16,	30,		
S	71,	4, 5, 6,	1, 2, 3,		24, 24, 28, 26,	21, 22, 23,	31,	32,	41,	42,			54, 55, 51, 52, 53, 91,



WAVERANGE SWITCH "A" 5 POSITIONS: SW I, SW II, SW III, MW, GRAM.  
 SHOWN IN POSITION SW I.  
 VOLTAGE SWITCH "D" 2 POSITIONS: AC AND DC.  
 SHOWN IN POSITION AC.  
 P = SWITCH POTENTIOMETER  
 E = PUSH BUTTON  
 A - B FILAMENT CURRENT  
 C = HIGH TENSION  
 V = VIBRATOR  
 Z<sub>1</sub> = BATTERY FUSE 10 AMPS  
 Z<sub>2</sub> = TERMINAL FUSE  
 VOLTAGES MEASURED WITH VOLTMETER 10.000 OHMS/VOLTS.  
 VOLTAGES AND CURRENTS WITHOUT AERIAL SIGNAL.

FIG. 1a

KY 5161 AV



C	8,	6,		4, 5,		3,	2,	7, 1,
R								
S	SM1	101,	SM2,	1, 4, 5, 2, 3, 6, 12, 11, 10, 9, 8, 7,				